



TAKE YOUR PERSONALISED BROCHURE TO YOUR LOCAL
RETAILER FOR MORE INFORMATION.
ENTER YOUR POSTCODE IN OUR WHERE TO BUY SECTION
AT CAPLE.CO.UK TO FIND A CAPLE DEALER NEAR YOU.



WANT TO VISIT CAPLE'S FLAGSHIP SHOWROOM?
RING **0117 938 1900** TO MAKE YOUR APPOINTMENT.

CAPLE, FOURTH WAY, AVONMOUTH, BRISTOL, BS11 8DW / 0117 938 1900 / ENQUIRIES@CAPLE.CO.UK



ATARA WALL CHIMNEY HOOD

PRODUCT CODE

ATA900

DIMENSIONS

↔ w:900mm

PERFORMANCE

e Energy class A
Light Efficiency C
Max. extraction 612m³/h
Max. noise level 66dB(A)
Grease Absorption D
Annual Consumption
42kwh/yr
Fluid Dynamic Efficiency A

FINISH AVAILABLE

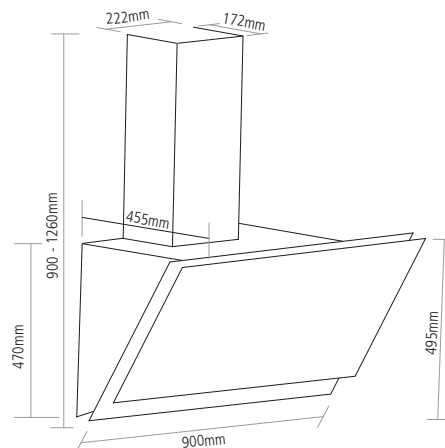
■ Black glass and steel trim

FEATURES

- Illuminated LED touch controls
- 3 speeds
- 2 x 1.5 LED lights
- Aluminium grease filters
- Ducting spigot size 150mm
- Recirculation kit available

OPTIONAL EXTRAS

- Recirculation kit [CAP61CF]
- Visit caple.co.uk for full range



COOKING

WALL CHIMNEY HOOD