



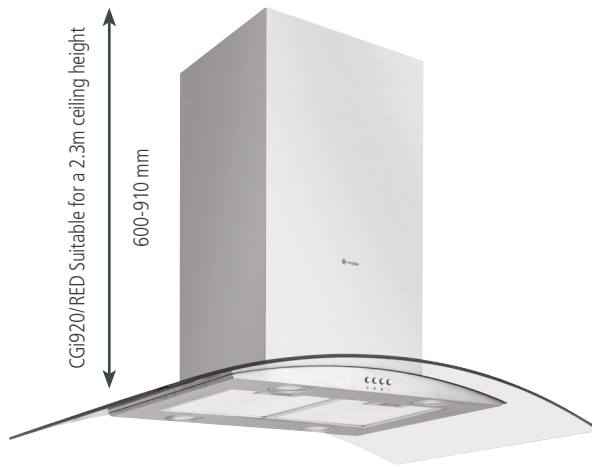
TAKE YOUR PERSONALISED BROCHURE TO YOUR LOCAL
RETAILER FOR MORE INFORMATION.
ENTER YOUR POSTCODE IN OUR WHERE TO BUY SECTION
AT CAPLE.CO.UK TO FIND A CAPLE DEALER NEAR YOU.



WANT TO VISIT CAPLE'S FLAGSHIP SHOWROOM?
RING **0117 938 1900** TO MAKE YOUR APPOINTMENT.

CAPLE, FOURTH WAY, AVONMOUTH, BRISTOL, BS11 8DW / 0117 938 1900 / ENQUIRIES@CAPLE.CO.UK

ISLAND HOOD



PRODUCT CODE

CGi920/RED

[Reduced ceiling height]

DIMENSIONS



w:900mm

h:600-910mm

PERFORMANCE



Energy Class D

Fluid dynamic efficiency D

Light efficiency C

Grease absorption D

Annual Consumption

96kWh/yr


Max. extraction 608m³/h

Max. noise level 69dB[A]

FINISH AVAILABLE

Stainless Steel with curved
Clear Glass

FEATURES

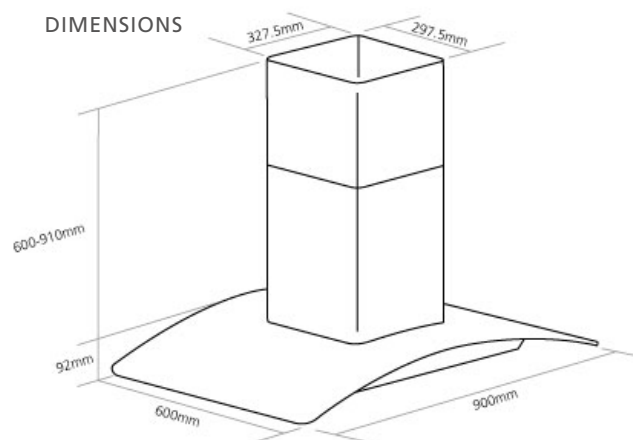
- Electronic controls
- 3 Speeds
- 4 x 1.5W high intensity LED lights
- Aluminium grease filters
- Required ducting size 150mm 
- Supplied with 2m length of semi-rigid ducting
- Recirculation kit available

OPTIONAL EXTRAS

- Recirculation kit [CAP61CF]

Visit cagle.co.uk for full range

DIMENSIONS



Venting choices

Ensure you purchase the correct venting for your Caple extractor.

